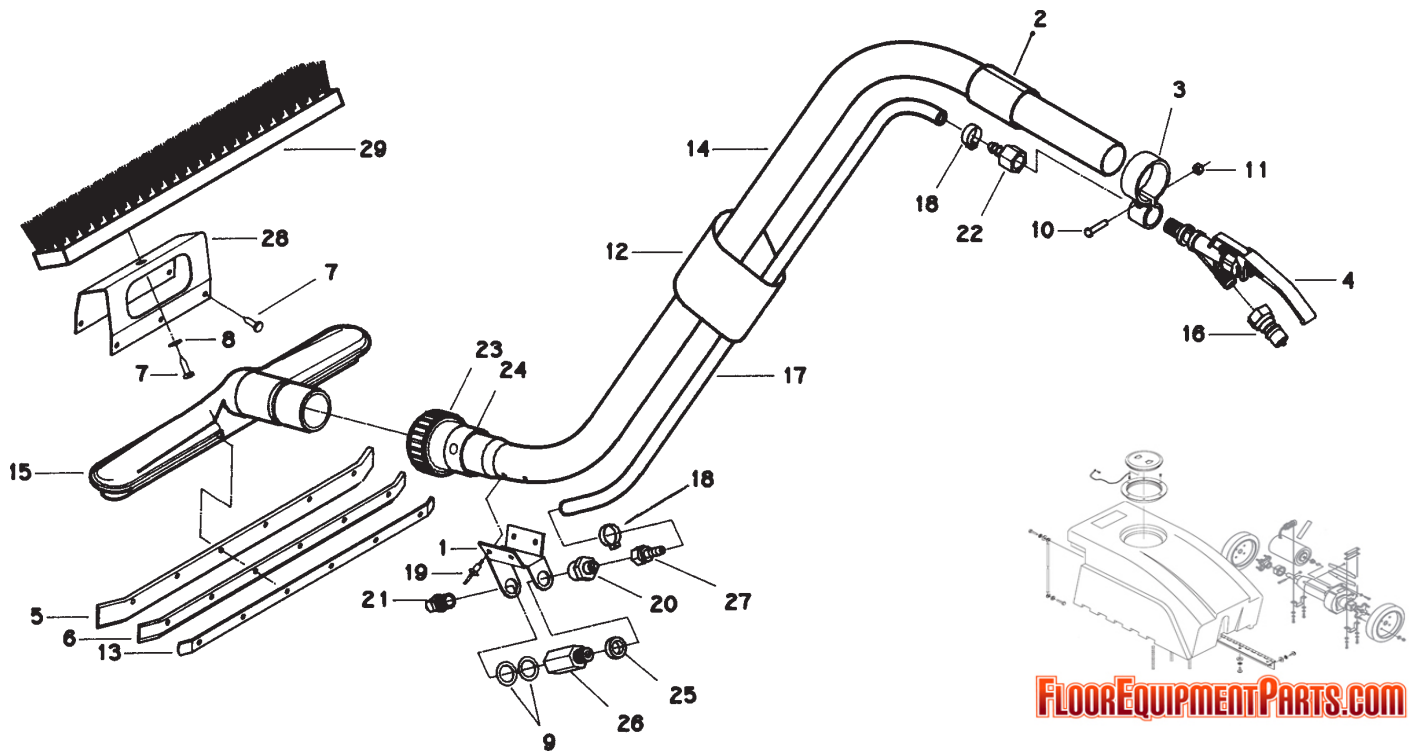


Wand Assembly



FLOOR-EQUIPMENT-PARTS.COM

ITEM	PART NO.	QTY	DESCRIPTION	ITEM	PART NO.	QTY	DESCRIPTION
1	100004	1	Spray Jet Bkt.	17	828488	3	Hose 1/4 x .5 275 PSI Nylo
2	100005	1	Adapter Sleeve 1.25 x 1.5	17A	100013	1	Sol. Hose Assy. (Incl. 18, 22, 27)
3	390056	1	Valve Mount	18	882490	2	Crimp Clamp 140R
4	390066	1	Solution Valve Assy. Complete	19	828893	4	Pop Rivet
5	500295	2	Rubber Squeegee	20	828953	1	Flare Connector
6	500296	2	Rubber Reinforcement	21	829115	1	Vee Jet 1/4
7	711106	14	SCR-ST-A 10 .75 PL	22	831327	1	1/4 FMPT x 1/4 Hose BARB
8	711503	2	WSR - Flat #10	23	832284	1	Nut
9	711594	2	WSR - Flat .56 x .88 x .03 NI	24	832285	1	Yoke
10	712545	1	SCR-MC 10 - 32 x .87 SS	25	832884	1	Spacer
11	712636	1	Nut - Hex 10 - 32 SS	26	833384	1	Check Valve
12	726164	2	Tube, Shrink 1.50 ID HSPVC	27	833488	1	HB Swiv. FI 146HBLFSV-4-4
13	800615	2	Retainer Strip	28	833789	2	Mounting Bkt.
14	804022	1	Wand, 1 1/4 S Type	29	833841	1	Brush
15	808648	1	Nozzle Squeegee		100002		Wand Assembly Complete
16	828368	1	BH2-61 Male Coupler		833877		Brush Squeegee Tool Complete

Minuteman[®]

World Headquarters
 Minuteman International, Inc.
 111 South Rohlwing Road
 Addison, Illinois 60101

Minuteman Canada, Inc.
 2210 Drew Road
 Mississauga, Ontario
 L5S 1B1

(630) 627-6900
 FAX (630) 627-1130

(905) 673-3222
 FAX (905) 673-5161

7/91
 983212
 Printed in U.S.A.